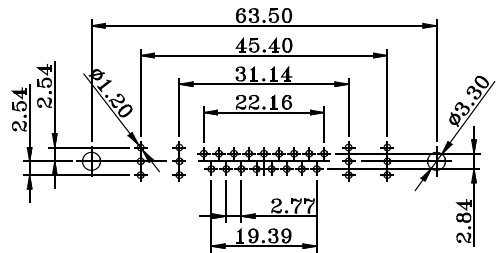
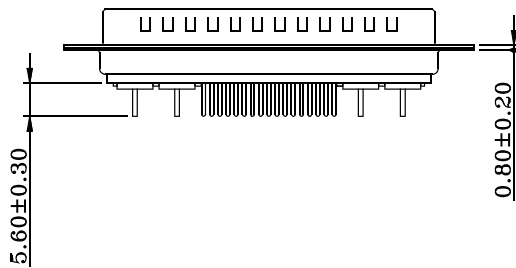
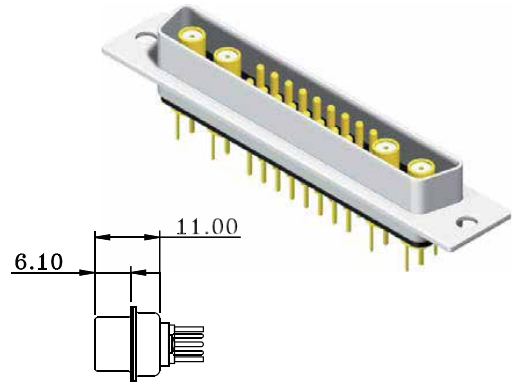
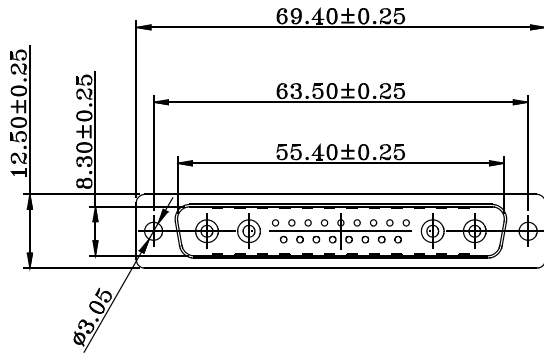
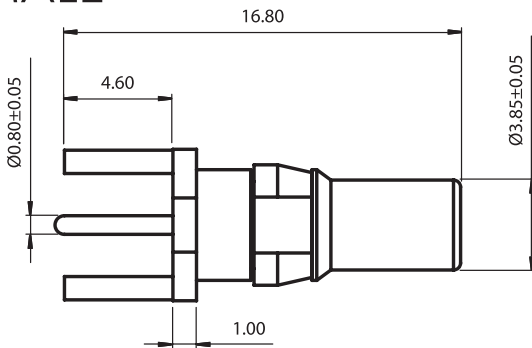


Coaxial Conn. Straight Type

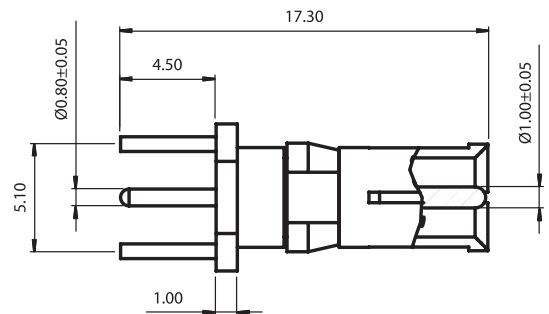


PCB LAYOUT

MALE



FEMALE



Order Information

